

ITPC-A156C

Intel® Core™/Celeron® Processor - 15.6" Touch Panel PC



FEATURES

- Fanless Aluminum Design
- Intel® Core™/Celeron® Processor
- TPM2.0 security encryption
- Support 9~36V
- 2 × RS232/422/485 serial ports, optional 6 serial ports
- 2 × Intel ports, optional 4 ports, J6412 motherboard supports 3 ports
- Full flat front panel, IP65 protection

SPECIFICATION

SYSTEM	
Processor	Intel® Celeron® J6412 (quad core four threads, 2.0 Ghz, 2.6 Ghz, 1.5MB cache) Intel® Core™ i3-10110U (two cores, four threads, 2.10 Ghz, 4.1 Ghz, 4MB cache) Intel® Core™ i5-8260U/10310U (four-core eight-thread, 1.7 Ghz, 4.4 Ghz, 6MB cache) Intel® Core™ i7-10810U (six-core 12-thread, 1.10 Ghz, 4.9 Ghz, 12MB cache)
Memory	1 × DDR4 2400/2666/3200 SODIMM Memory Slot, Max. Support 32GB
BIOS	AMI EFI BIOS
Display Chip	Integrated Intel® UHD Graphics
Display Port	1 HDMI, 1 LVDS interface (LVDS interface has been connected to the LCD screen) Support synchronous/asynchronous 2 display
Storage	1 × M.2 2280 slot (SATA Protocol) 1 × 2.5-inch HDD
Expansion	1 × Mini PCIe slot (Optional WIFI/Bluetooth/3G/4G with embedded SIM slot)
OS Support	Windows 10, Windows 11, Linux
I/O	1 × HDMI Port 2 × Serial Ports (COM1, COM2 optional RS232/422/485, customizable 6 serial ports) 1 × Switch Button 1 × 2-pin Power Supply Phoenix Terminal 1 × Audio 2-in-1 4 × USB3.0 (J6412 is 4 USB3.0+2 USB2.0) 2 × Intel Gigabit LAN ports (customizable to 4), and 3 J6412 Gigabit LAN Ports
Power	DC 9~36V wide voltage input, support for positive and negative polarity reverse protection
Other Function	TPM2.0 security encryption, power on, scheduled startup, network wake up, PXE startup, watchdog (0~255 levels)
Scalable Functionality	(Standard shipment does not include this interface, but can be customized): GPIO (8 in and 8 out), 2 × LAN Ports, 4 × Serial Ports, 2 × USB2.0
LCD	
Display Type	15.6" TFT-LCD
Brightness	400 cd/m ²
Viewing Angle	70 Degrees
Contrast	16: 9
Resolution	1920 × 1080
Touchscreen Type	Resistive high sensitivity touch screen (default), life up to 50 million times; (optional capacitive screen)
ENVIRONMENT	
Operating Temperature	0°C ~ +50°C (hard disk), -10°C ~ +60°C (solid state drive), surface air flow
Relative Humidity	5% ~ 95% (non-condensing)
Certification	CE, CCC, FCC Class A, RoHS
MECHANISM	
Product Size	400 × 249.3 × 62.1 mm
Embedded Size	385 × 234.3 mm
Overall weight	3.6 kg

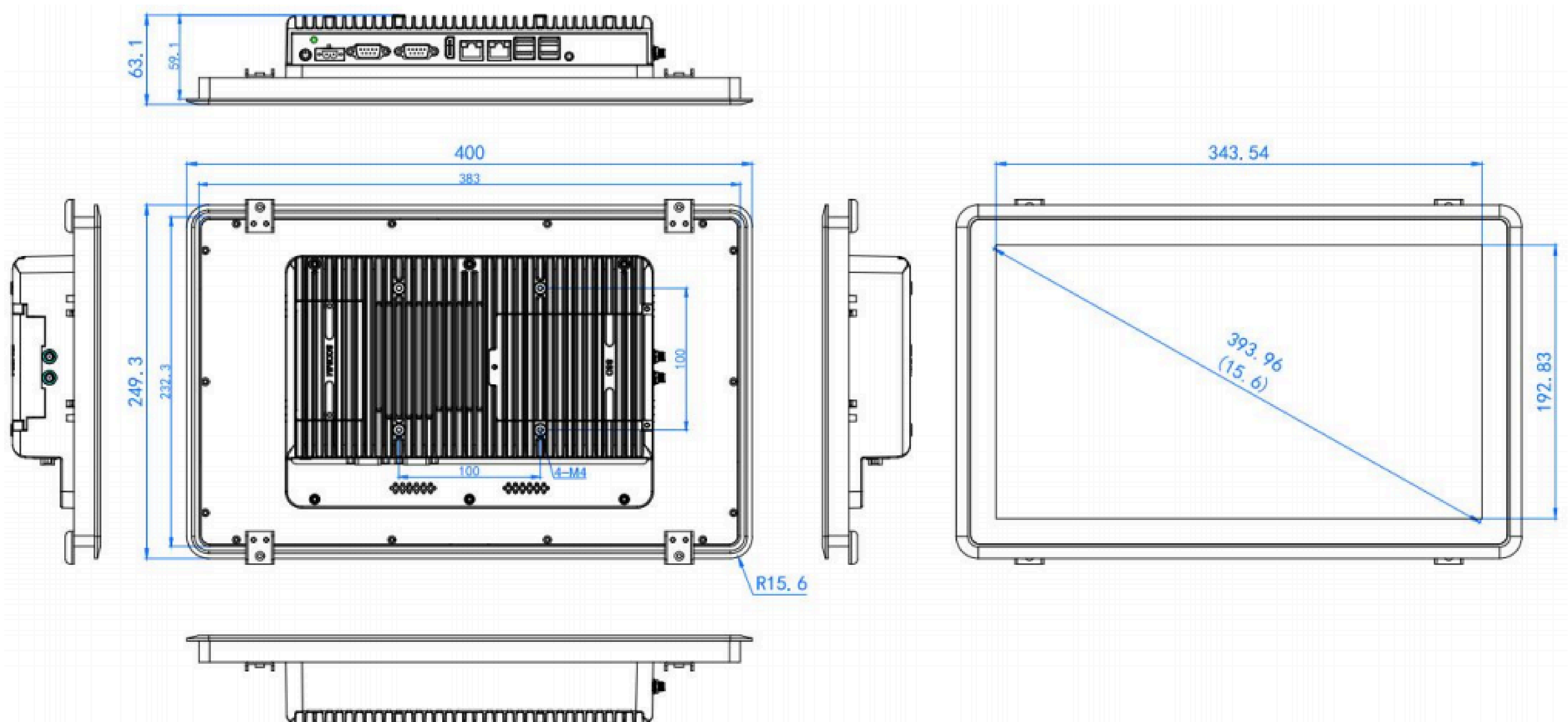


Standard I/O interface

J6412 I/O interface

DIMENSION

unit:mm



ORDER INFORMATION

ITPC-A156C	CPU	Standard I/O interface	Internal expansion
Configuration 1	Intel Celeron J6412	LAN × 3 USB × 6 COM × 2 HDMI × 1 DC-IN × 1 Audio × 1	1 × DDR4/32G Max 1 × M.2 SATA 1 × 2.5-inch HDD 1 × Mini PCIe WiFi/(3G/4G)
Configuration 2	Intel Celeron 4205U	LAN × 2 USB × 4	
Configuration 3	Intel Core i5-8260U	COM × 2	
Configuration 4	Intel Core i3-10110U	HDMI × 1	
Configuration 5	Intel Core i5-10310U	DC-IN × 1 Audio × 1	
Configuration 6	Intel Core i7-10810U	LAN × 2 USB × 4 COM × 2 VGA × 1 DC-IN × 1 HDMI × 1 Audio × 2	

Remark: Please consult our sales staff for details.

ACCESSORY

Part Name	Quantity	Specification
Power Adapter	1	Available 12V 5A
		Select i7-10810U with 12V 7.5A
Power Cord	1	CN, US, UK, EU etc.
Embedded Installation Clips	4	Install the clip and matching screws
Desktop, wall mount, three-dimensional bracket	1	Optional